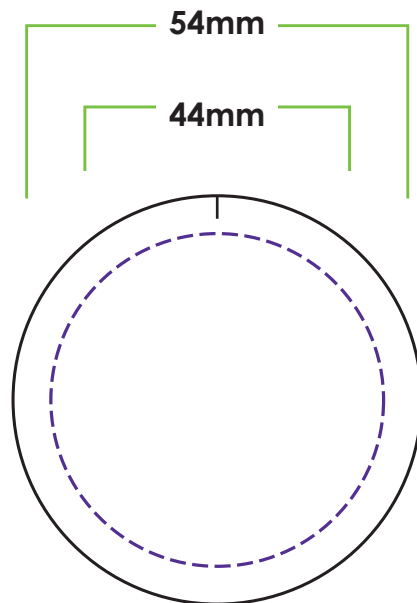


button**b**adgeworld

44mm Button Badge

artwork guideline



Artwork in 100% size

The dotted purple line (44mm) is a non printing guide. It depicts the wrap around edge of the badge. No item that must be visible can go beyond this point.

Please make a 3mm vertical line on the top & centre of your circles. The line will determine the centre of your badges during the process of making them.

buttonbadgemachines.com.au | free call 1800 141 662